

# ALPINE AIR CLASSIFIER TTD

COMPACT. POWERFUL. ECONOMICAL.



## HOSOKAWA ALPINE

## TTD = MORE PERFORMANCE + LESS ENERGY COSTS

### THE ADVANTAGES OF HOSOKAWA ALPINE AIR CLASSIFIERS TTD:

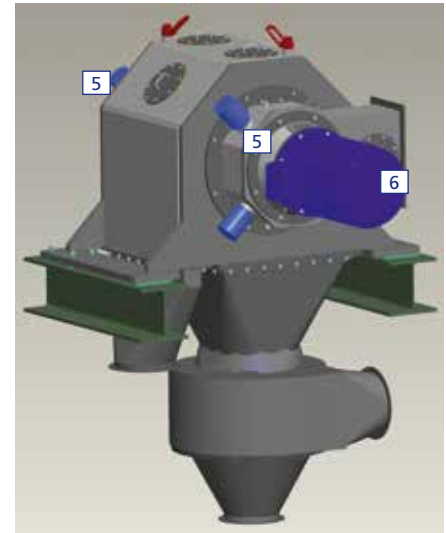
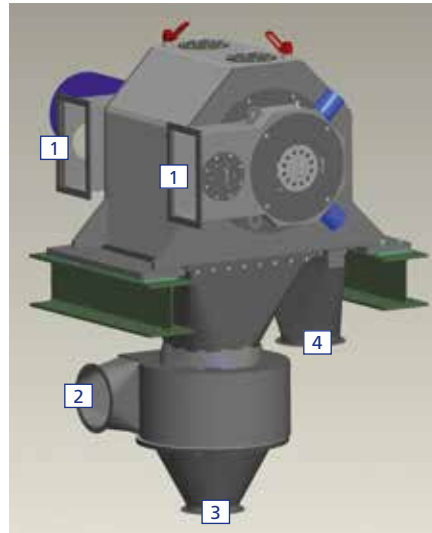
- Low energy costs per tonne of end product
- Low investment costs per tonne of end product
- High fines yield and maximum fines capacity
- Extremely robust and durable construction
- Classifying wheel supported in bearings on both sides
- Dual-flow fines discharge
- Optimised product feed direct to classifying wheel
- Direct drive with reinforced motor bearing
- Cost-optimised operation
- Compact and functional design

### APPLICATION AREAS:

- Soft to medium-hard products
- Industrial fillers
- Limestone, marble, GCC
- Talc
- Dolomite
- Barite
- Kaolin

### AVAILABLE TTD MODELS (VALUES FOR CaCO<sub>3</sub> POWDER)

	1000 TTD	800 TTD	630 TTD	500 TTD	315 TTD
Throughput at D <sub>97</sub> = 5 µm	2800 kg/h	1700 kg/h	1100 kg/h	740 kg/h	290 kg/h
Throughput at D <sub>97</sub> = 10 µm	7300 kg/h	4000 kg/h	2400 kg/h	1620 kg/h	650 kg/h
Throughput at D <sub>97</sub> = 20 µm	12000kg/h	9000 kg/h	5700 kg/h	3300 kg/h	1400 kg/h



- 1 Dual-flow fines discharge
- 2 Coarse material classifier with air inlet for additional product dispersion
- 3 Coarse material discharge
- 4 Highly dispersed product feed direct to the classifying wheel
- 5 Classifying wheel supported in bearings on both sides
- 6 Direct drive with reinforced motor bearing

HOSOKAWA ALPINE Aktiengesellschaft  
P.O. Box 101151  
86001 Augsburg, Germany  
Tel: + 49 821 5906-0  
Fax: + 49 821 5906-610  
www.hosokawa-alpine.com  
E-mail: minerals@alpine.hosokawa.com

Address for visitors and deliveries:  
Peter-Doerfler-Straße 13-25  
86199 Augsburg, Germany